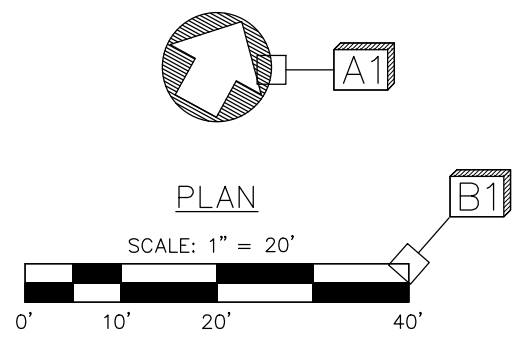


ABANDONMENT NOTES:
 10+50 TO 12+00: RIP ROAD SURFACE TO FACILITATE NATURAL REGENERATION.

FILL REMOVAL EXAMPLE
 NOVEMBER 1, 2017. DNR FOREST PRACTICES DIVISION



| BY | DATE | REVISIONS |
|----|------|-----------------------|
| x | xx | xx/xx/xx |
| | | xxxx xxxxxxxxxxxxxxxx |
| | | |
| | | |

DRAWING TITLE: SITE PLAN

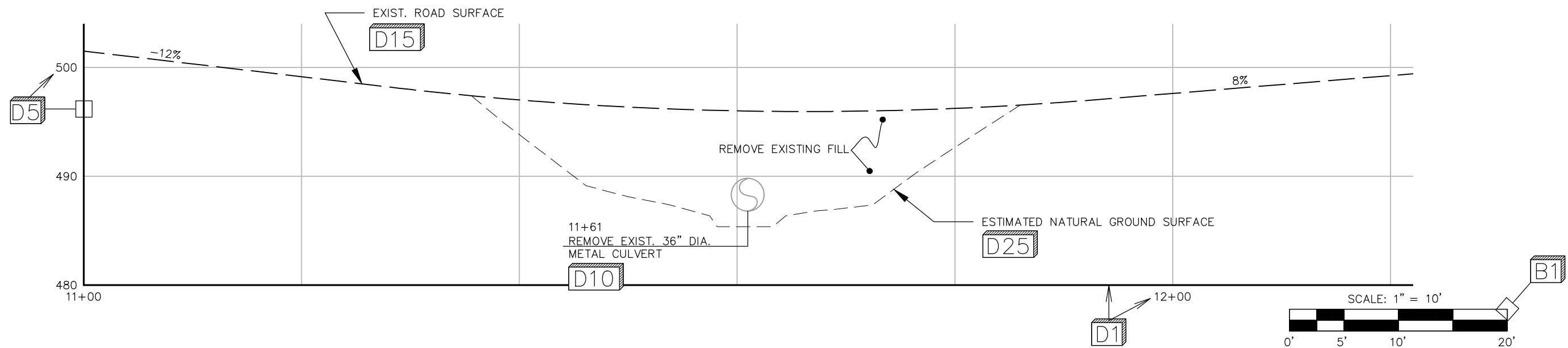
LANDOWNER: XXXXXXXXXXXX

SEC. TOWNSHIP RANGE: SEC. XX TXN RXW

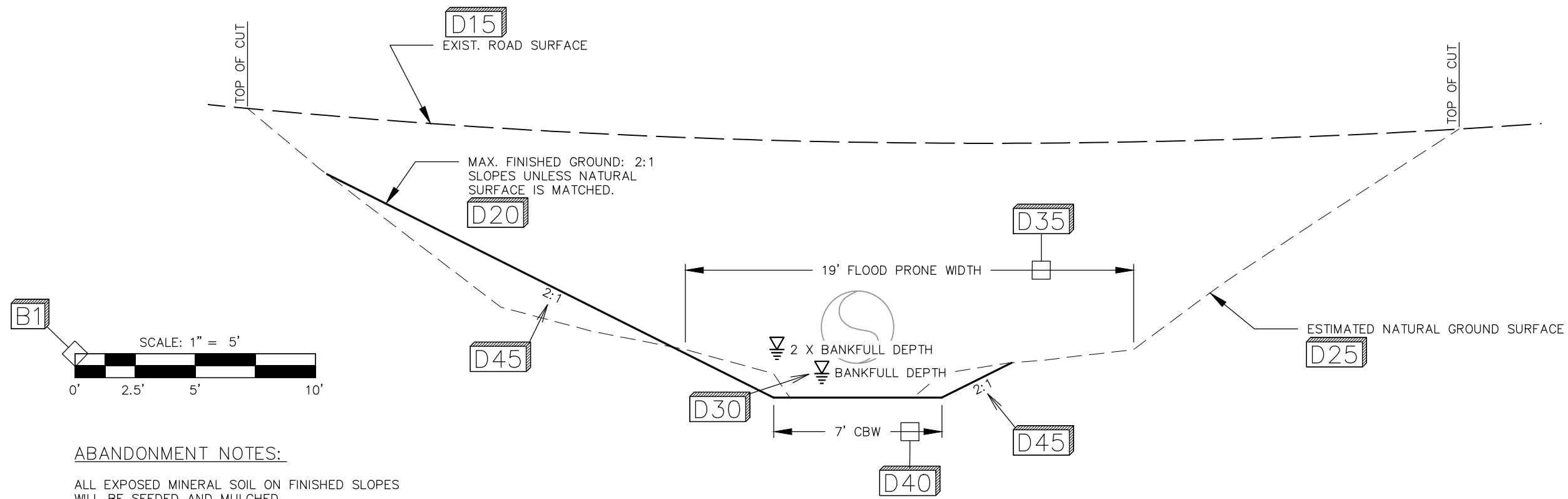
LAT & LONG: NXX.XXXX° WXXX.XXXX°

DATE: X/XX/XX

SHEET
 1
 OF
 3



ROAD PROFILES



ABANDONMENT NOTES:

ALL EXPOSED MINERAL SOIL ON FINISHED SLOPES
WILL BE SEEDED AND MULCHED.

FILL REMOVAL EXAMPLE

NOVEMBER 1, 2017. DNR FOREST PRACTICES DIVISION

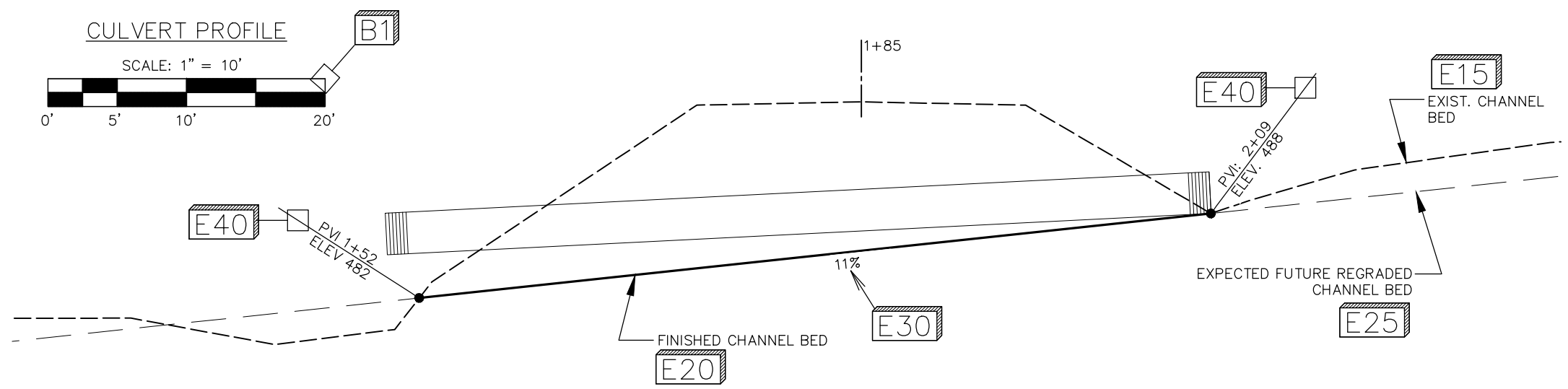
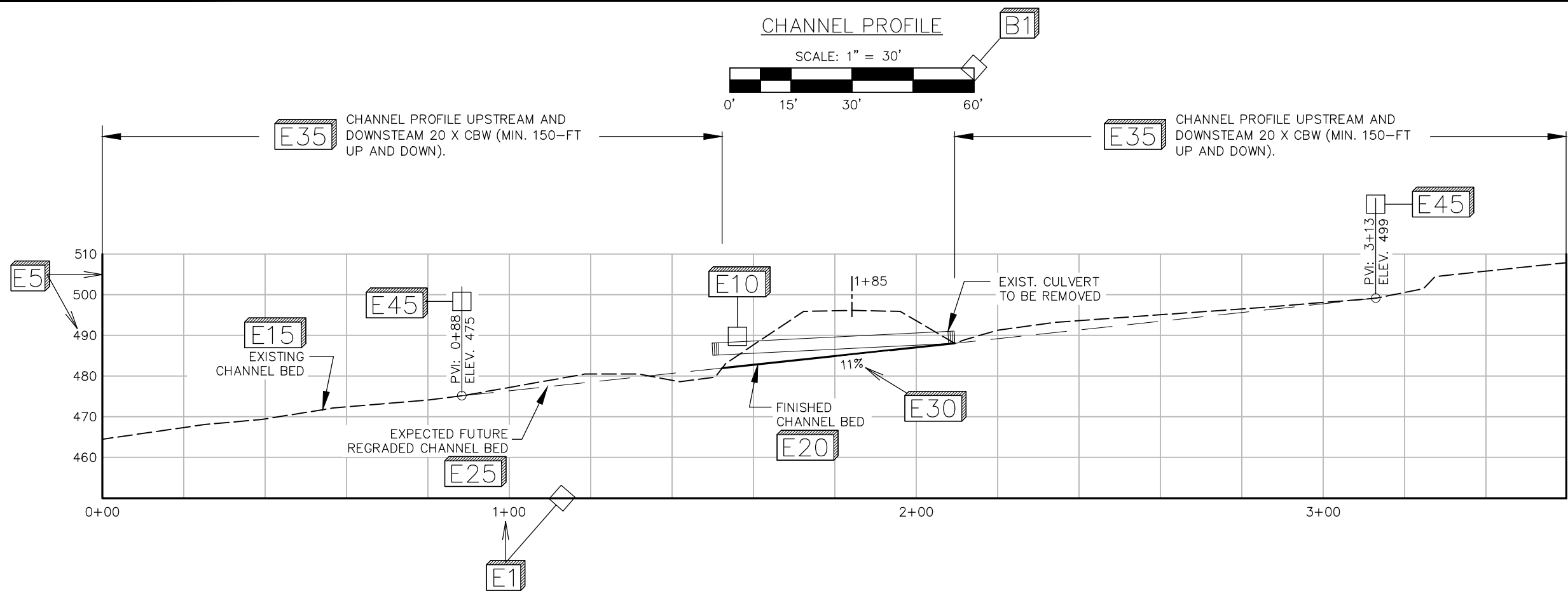
| BY | DATE | REVISIONS |
|----|------|---------------------------------|
| X | XX | XX/XX/XX XXXX XXXXXXXXXXXXXXXX. |
| | | |
| | | |
| | | |

DRAWING TITLE: ROAD PROFILE

LANDOWNER: XXXXXXXXXXXXX

DATE: X/XX/XX

SHEET
2
OF
3



FILL REMOVAL EXAMPLE
NOVEMBER 1, 2017. DNR FOREST PRACTICES DIVISION

| BY | DATE | REVISIONS |
|----|------|------------------------|
| X | XX | XX/XX/XX |
| | | XXXX XXXXXXXXXXXXXXXX. |
| | | |
| | | |

DRAWING TITLE: CHANNEL PROFILE

LANDOWNER: XXXXXXXXXXXXX

DATE: X/XX/XX

SHEET
3
OF
3